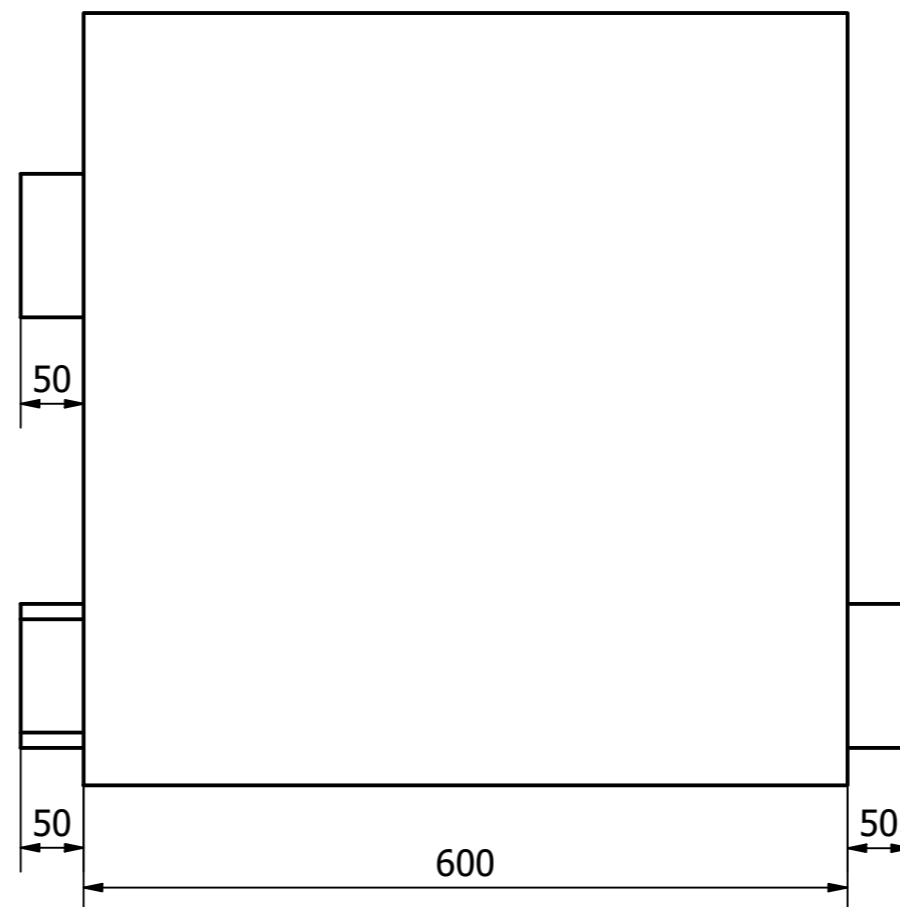
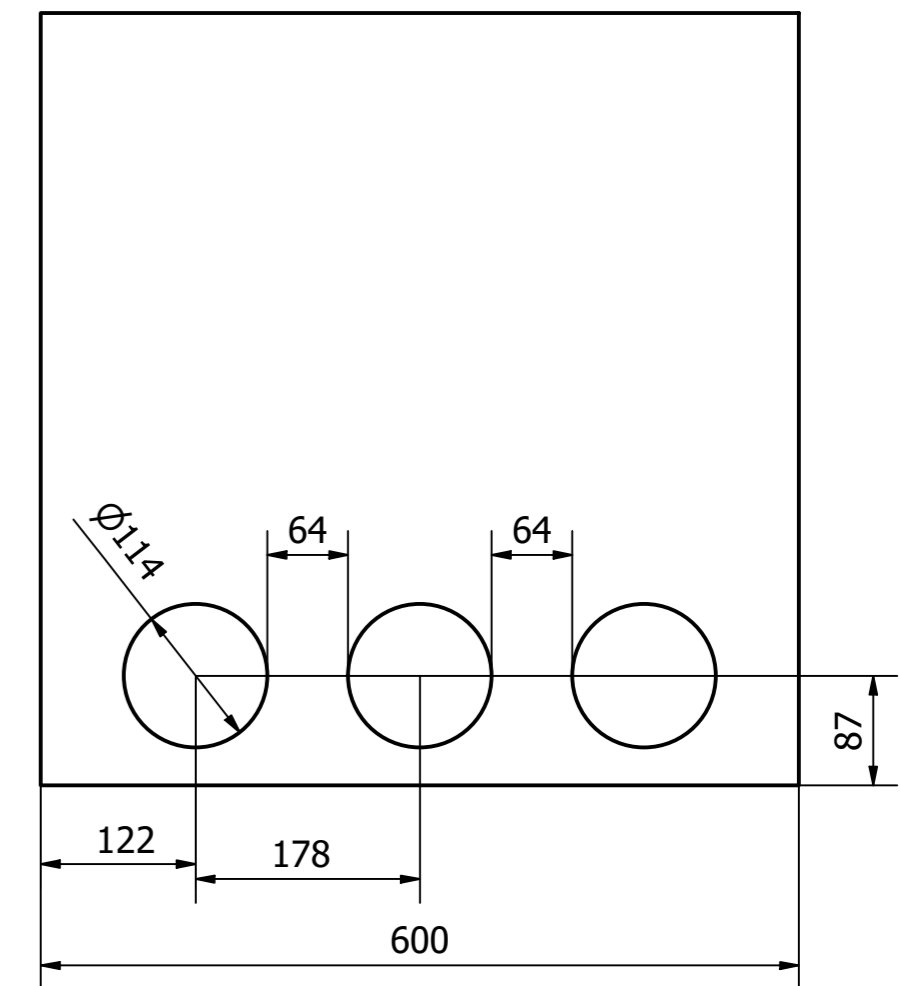


INLET



SIDE



OUTLET

FREE 35

Designed by FREE Drum Filter	Checked by Lam Nguyen	Approved by Tu Tran Anh	Date 01 OCT. 2021	Create Date 01 JUN. 2021
REAL LINK CO., LTD.		FREE 35 LAYOUT		
			Edition 2.0	